

Comparator stands with a rectangular table MT 100

The table surfaces of models MT 100 and MT 100 b are lapped.

The tables of MT 100 K and MT 100 bK are made of high-quality Al₂O₃ 99.7% ceramic and are also lapped.

The columns of all models are made of hardened and precision-ground steel.

MT 100



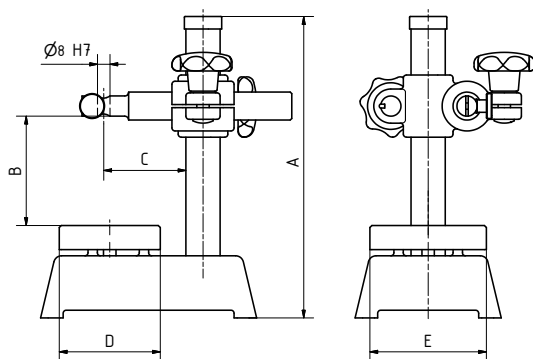
MT 100 b



MT 100 K



MT 100 bK



Model			MT 100	MT 100 b	MT 100 K	MT 100 bK
Total height	A	mm	200	200	200	200
Measuring range – vertical	B	mm	100	100	100	100
Measuring range – horizontal	C	mm	49	90	49	90
Column diameter		mm	22	22	22	22
Dial gauge holder		mm	8H7	8H7	8H7	8H7
Measuring table material			Steel	Steel	Ceramic	Ceramic
Flatness		µm	4.27	4.27	≤ 2	≤ 2
Dust grooves			•	•		
Weight		kg	approx. 3.2	approx. 3.5	approx. 3.2	approx. 3.5
Extras						
Measuring frame MB22			•	•	•	•