

# Comparator stands with rectangular table MT 130

The table surfaces of models MT 130 and MT 130 b are lapped.

The tables of models MT 130 K and MT 130 bK are made of high-quality lapped Al<sub>2</sub>O<sub>3</sub> 99.7% ceramic.

The columns of all models are made of hardened and precision-ground steel.

Measuring tables MT 130 b and MT 130 bK have interchangeable dial gauge holders.

**MT 130**



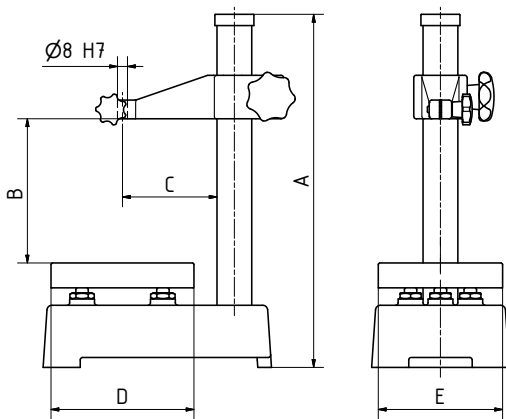
**MT 130 b**



**MT 130 K**



**MT 130 bK**



Model			MT 130	MT 130 b	MT 130 K	MT 130 bK
Total height	A	mm	284	284	284	285
Measuring range – vertical	B	mm	155	165	155	165
Measuring range – horizontal	C	mm	76	135	76	135
Cross arm length		mm				120
Measuring table area	D x E	mm	98 x 115	98 x 115	100 x 115	100 x 115
Column diameter		mm	28	28	28	28
Dial gauge holder		mm	8H7	8H7	8H7	8H7
Measuring table material			Steel	Steel	Ceramic	Ceramic
Flatness		µm	4.46	4.46	≤ 3	≤ 3
Dust grooves			•	•		
Weight		kg	approx. 7.0	approx. 7.1	approx. 7.0	approx. 7.1