

Extra-sturdy comparator stands MT 150 U

MT 150-U1



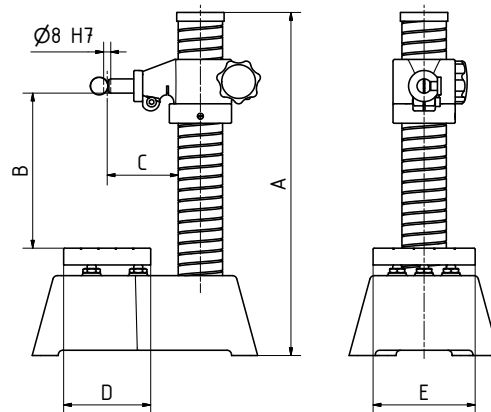
MT 150-U2



MT 150-U3



The dial gauge holders of these models are interchangeable. Holders can be supplied with 20H7, 25H7, 28H7 and 30H7 holes. Adapters for commonly used electronic lengthmeasuring probes are available.



Model			MT 150 U-1	MT 150 U-2	MT 150 U-3
Total height	A	mm	390	390	390
Measuring range – vertical	B	mm	20-220	20-220	3-185
Measuring range – horizontal	C	mm	80	80	80
Measuring table area	DxE	mm	dia. 115	98 x 115	
Measuring block – V-block depth		mm			10 / 90°
Measuring block – measuring table area	DxE	mm			48 x 100
Column diameter		mm	50	50	50
Dial gauge holder		mm	8H7	8H7	8H7
Measuring table material			Steel	Steel	Steel
Flatness		µm	4.46	4.46	4.32
Dust grooves			•	•	•
Weight		kg	approx. 20.0	approx. 20.0	approx. 20.0

Subject to technical modifications