

Extra-sturdy comparator stands MT 160

**MT 160 SOGG
MT 160 SOGL**



**MT 160 SMGG
MT 160 SMGL**



**MT 160 SOGGG
MT 160 SOGGL**



The comparator stands in the MT 160 series are distinguished by a large measurement surface. They were designed for high accuracy in spite of their rugged construction.

The measuring table plate rests on an adjustable three-point support.

Types MT 160b and MT 160 U-50b have a sliding horizontal measuring arm that can reach every point of the measurement surface.

The horizontal measuring arm of types MT 160b and MT 160 U-50b can also be supplied with a rotation lock for special requirements.

Model			MT 160 SOGG	MT 160 SOGL	MT 160 SMGG	MT 160 SMGL	MT 160 SOGGG	MT 160 SOGGL
Total height	A	mm	320	320	320	320	390	390
Measuring range – vertical	B	mm	165	165	165	165	155	155
Reach	C	mm	104	104	104	104	104	104
Measuring table area	D x E	mm	170 x 215	170 x 215	170 x 215	170 x 215	170 x 215	170 x 215
Precision-ground table surface			•		•		•	
Lapped table surface				•		•		•
Column diameter		mm	35	35	35	35	35	35
Smooth column			•	•				
Column with thread and setting ring					•	•		
Column with hand wheel for vertical adjustment							•	•
Dial gauge holder		mm	8H7	8H7	8H7	8H7	8H7	8H7
Measuring table material			Steel	Steel	Steel	Steel	Steel	Steel
Flatness		µm	16.00	4.86	16.00	4.86	16.00	4.86
Dust grooves			•	•	•	•	•	•
Weight		kg	approx. 22	approx. 22	approx. 22	approx. 22	approx. 22	approx. 22

Extra-sturdy comparator stands MT 160

Measuring and testing equipment



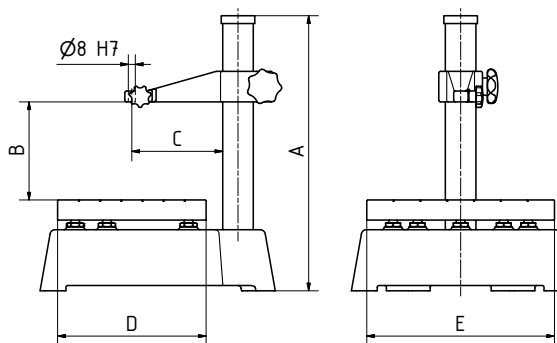
MT 160b SOGG MT 160b SOGL



MT 160b SMGG MT 160b SMGL MT 160U 50b-GS MT 160U 50b-GL MT 160U 50b-GSV MT 160U 50b-GLV



The dial gauge holders of the MT 160b types are interchangeable. Holders are available with 20H7, 25H7, 28H7 and 30H7 holes. Adapters for commonly used electronic lengthmeasuring probes are available.



Model			MT 160 b SOGG	MT 160 b SOGL	MT 160 b SMGG	MT 160 b SMGL	MT 160 U 50b-GS	MT 160 U 50b-GL	MT 160 U 50b-GSV	MT 160 U 50b-GLV
Total height	A	mm	320	320	320	320	370	370	370	370
Measuring range – vertical	B	mm	175	175	175	175	215	215	215	215
Reach up to	C	mm	180	180	180	180	220	220	220	220
Measuring table area	D x E	mm	170 x 215	170 x 215	170 x 215	170 x 215	170 x 215	170 x 215	170 x 215	170 x 215
Precision-ground table surface			•		•		•		•	
Lapped table surface				•		•		•		•
Column diameter		mm	35	35	35	35	50	50	50	50
Smooth column			•	•						
Column with thread and setting ring					•	•	•	•	•	•
Horizontal measuring arm with rotation lock (o=option)			o	o	o	o	o	o	•	•
Dial gauge holder		mm	8H7	8H7	8H7	8H7	8H7	8H7	8H7	8H7
Interchangeable dial gauge holder			•	•	•	•	•	•	•	•
Measuring table material			Steel	Steel	Steel	Steel	Steel	Steel	Steel	Steel
Flatness		µm	16.00	4.86	16.00	4.86	16.00	4.86	16.00	4.86
Dust grooves			•	•	•	•	•	•	•	•
Weight		kg	approx. 22	approx. 22	approx. 22	approx. 22	approx. 26	approx. 26	approx. 26	approx. 26

Subject to technical modifications