

## Comparator stands with granite base plate.

**MT 170 MT 171**  
**MT 172 MT 300**

Measuring and testing equipment



These measuring tables have base plates made of natural black granite. Aged over millions of years, the rock material is tension-free, wear-proof, and harder than steel. The measurement surface is corrosion-free and non-magnetic. It requires no special care.

The surface is lapped and the flatness of the measurement surface conforms to DIN 876/00.

The columns are hard chrome-plated and ground.

In models

MT 170 b-HG

MT 171 b-HG

MT 300 b-HG

MT 300 b-HGV

the dial gauge holder is interchangeable.

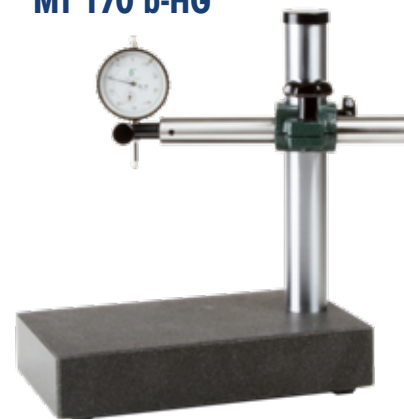
Holders with 20H7, 25H7, 28H7 and 30H7 holes are available.

Adapters for commonly used electronic length measuring probes are available.

**MT 170-HG**



**MT 170 b-HG**



**MT 171-HG**



**MT 171 b-HG**



Model			MT 170-HG	MT 170 b-HG	MT 171-HG	MT 171 b-HG
Total height	A	mm	310	310	310	310
Measuring range – vertical	B	mm	200	210	200	210
Reach	C	mm	104		104	
Reach up to	C	mm		180		180
Table dimensions	D x E	mm	260 x 150	260 x 150	260 x 150	260 x 150
Measurement surface	F x G	mm	200 x 150	200 x 150	200 x 150	200 x 150
Column diameter		mm	35	35	35	35
Smooth column			•	•		
Column with thread and setting ring					•	•
Column with hand wheel for vertical adjustment						
Horizontal measuring arm with rotation lock (o=option)				o		o
Dial gauge holder		mm	8H7	8H7	8H7	8H7
Interchangeable dial gauge holder				•		•
Measuring table material			Granite	Granite	Granite	Granite
Flatness of measurement surface as per DIN 876			00	00	00	00
Weight		kg	approx. 8.5	approx. 9.0	approx. 8.8	approx. 9.5

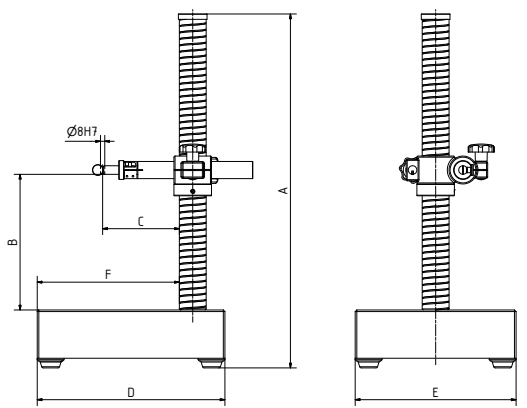
# Comparator stands with a granite base plate

Measuring and testing equipment



MT 170 MT 171  
MT 172 MT 300

## MT 172-HG



## MT 300 b-HG MT 300 b-HGV



Model			MT 172-HG	MT 300 b-HG	MT 300 b-HGV
Total height	A	mm	380	660	660
Measuring range – vertical	B	mm	190	500	500
Reach	C	mm	104		
Reach up to	C	mm		220	220
Table dimensions	D x E	mm	260 x 150	350 x 300	350 x 300
Measurement surface	F x G	mm	200 x 150	260 x 300	260 x 300
Column diameter		mm	35	50	50
Smooth column					
Column with thread and setting ring				•	•
Column with hand wheel for vertical adjustment			•		
Horizontal measuring arm with rotation lock (o=option)					•
Dial gauge holder		mm	8H7	8H7	8H7
Interchangeable dial gauge holder				•	•
Measuring table material			Granite	Granite	Granite
Flatness of measurement surface as per DIN 876			00	00	00
Weight		kg	approx. 8.8	approx. 41.0	approx. 41.0

Subject to technical modifications