

Comparator stands with long reach MT 180

**MT 180-1
MT 180-2**



**MT 180-G1
MT 180-G2**



**MT 180-1H
MT 180-2H**



The measuring tables in the MT 180 series are distinguished by their long reach, sturdy column and large measurement surface. Another advantage is their low weight.

The measuring table plate rests on an adjustable three-point support.

Model			MT 180-1	MT 180-2	MT 180-G1	MT 180-G2	MT 180-1H	MT 180-2H
Total height	A	mm	320	320	320	320	390	390
Measuring range – vertical	B	mm	170	170	170	170	160	160
Reach	C	mm	104	104	104	104	104	104
Measuring table area	D x E	mm	180 x 98	180 x 98	180 x 98	180 x 98	180 x 98	180 x 98
Precision-ground table surface			•		•		•	
Lapped table surface				•		•		•
Column diameter		mm	35	35	35	35	35	35
Smooth column			•	•				
Column with thread and setting ring					•	•		
Column with hand wheel for vertical adjustment							•	•
Dial gauge holder		mm	8H7	8H7	8H7	8H7	8H7	8H7
Interchangeable dial gauge holder								
Measuring table material			Steel	Steel	Steel	Steel	Steel	Steel
Flatness		µm	10	4.74	10	4.74	10	4.74
Dust grooves			•	•	•	•	•	•
Weight		kg	approx. 12	approx. 12	approx. 12	approx. 12	approx. 12	approx. 12

Comparator stands with long reach MT 180

MT 180 b-1 MT 180 b-2



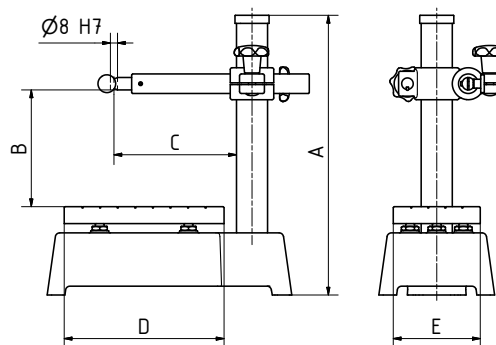
MT 180 b-G1 MT 180 b-G2



The MT 180b models have a sliding horizontal measuring arm that can reach every point of the measurement surface.

The horizontal measuring arm can also be equipped with a rotation lock.

The dial gauge holder is interchangeable. Mounting holes for commonly used length measuring probes are available.



Model			MT 180 b-1	MT 180 b-2	MT 180 b-G1	MT 180 b-G2
Total height	A	mm	320	320	320	320
Measuring range – vertical	B	mm	180	180	180	180
Reach up to	C	mm	180	180	180	180
Measuring table area	D x E	mm	180 x 98	180 x 98	180 x 98	180 x 98
Precision-ground table surface			•		•	
Lapped table surface				•		•
Column diameter		mm	35	35	35	35
Smooth column			•	•		
Column with thread and setting ring					•	•
Horizontal measuring arm with rotation lock (o=option)			o	o	o	o
Dial gauge holder		mm	8H7	8H7	8H7	8H7
Interchangeable dial gauge holder			•	•	•	•
Measuring table material			Steel	Steel	Steel	Steel
Flatness		µm	10	4.74	10	4.74
Dust grooves			•	•	•	•
Weight		kg	approx. 13	approx. 13	approx. 13	approx. 13

Subject to technical modifications